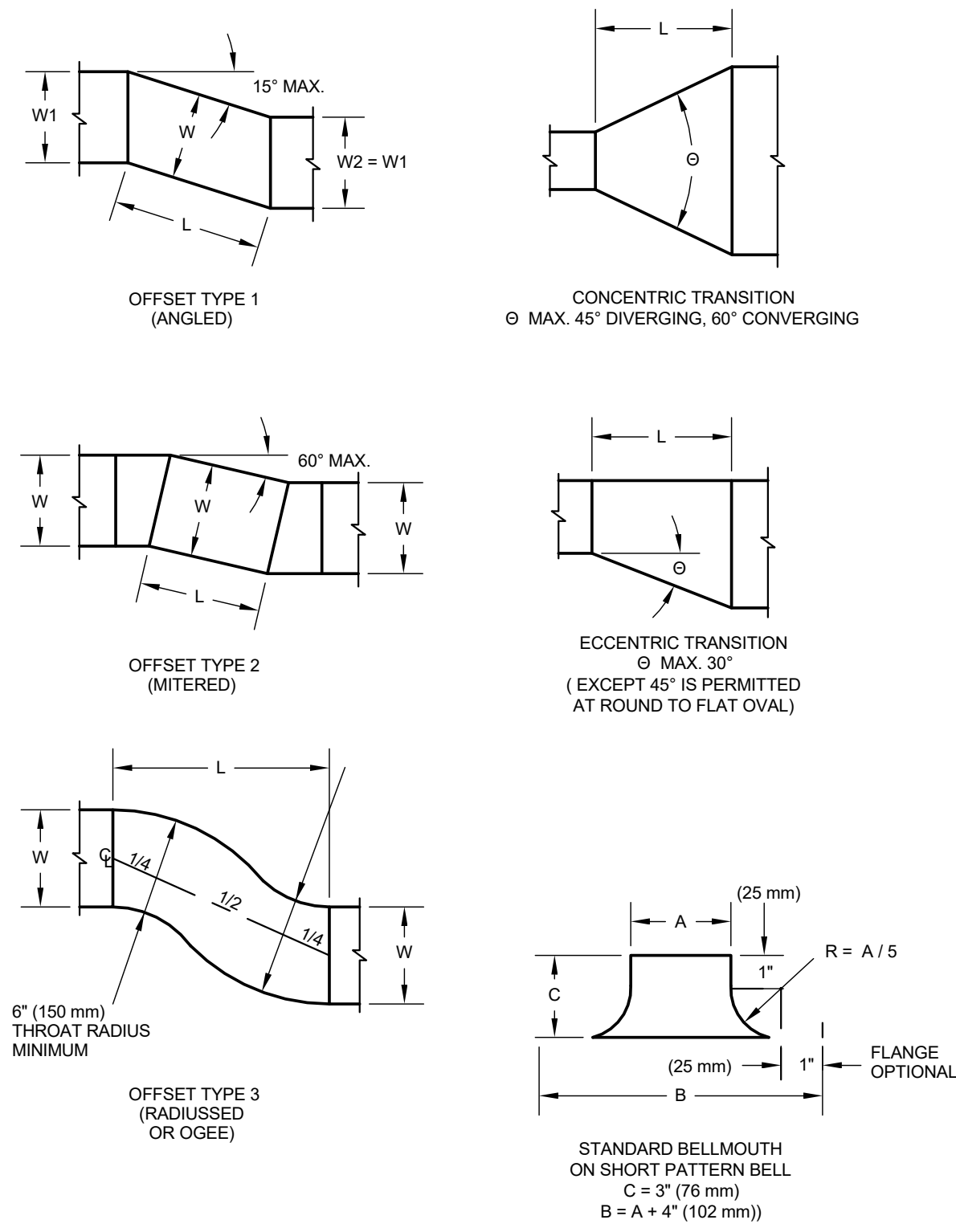
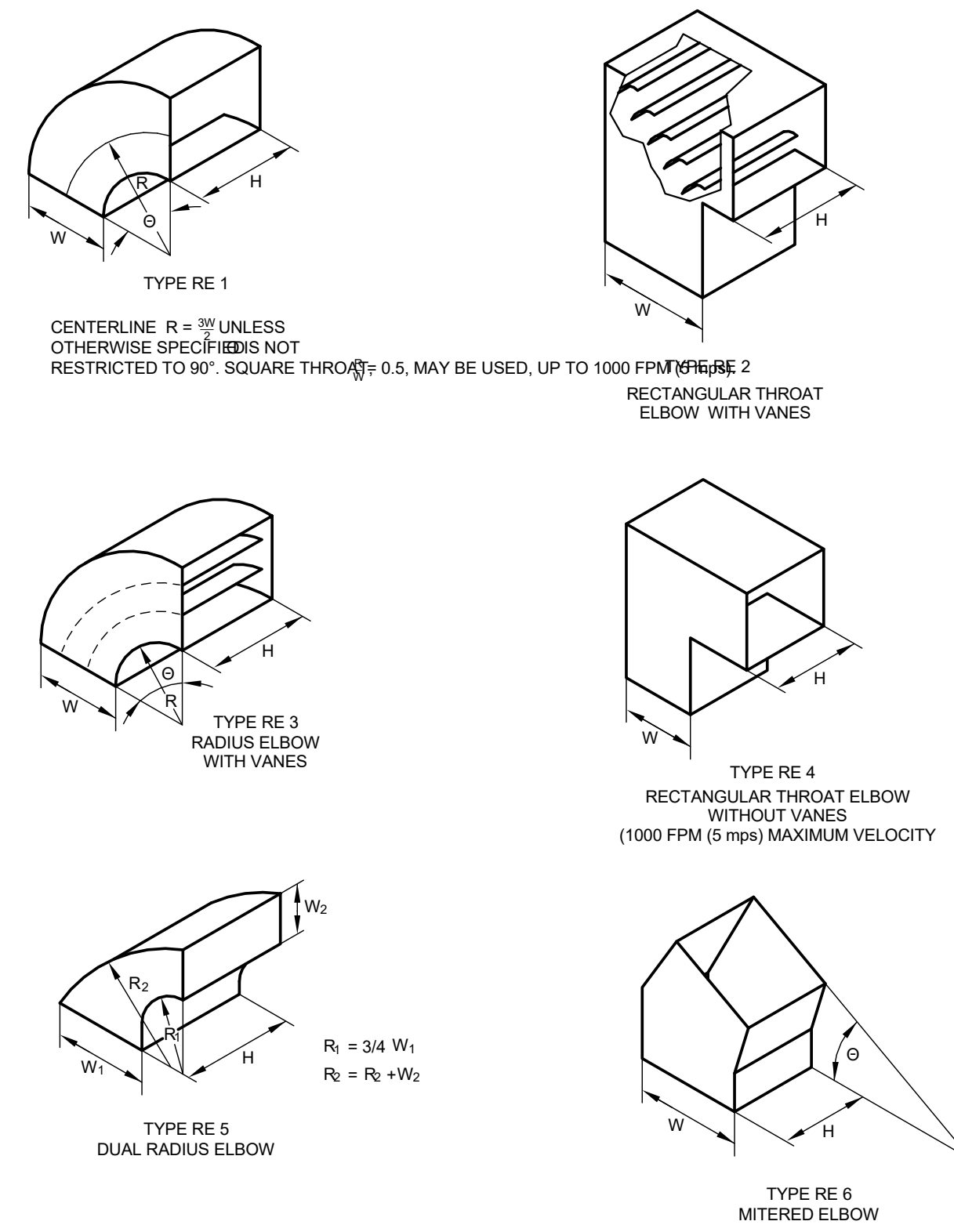


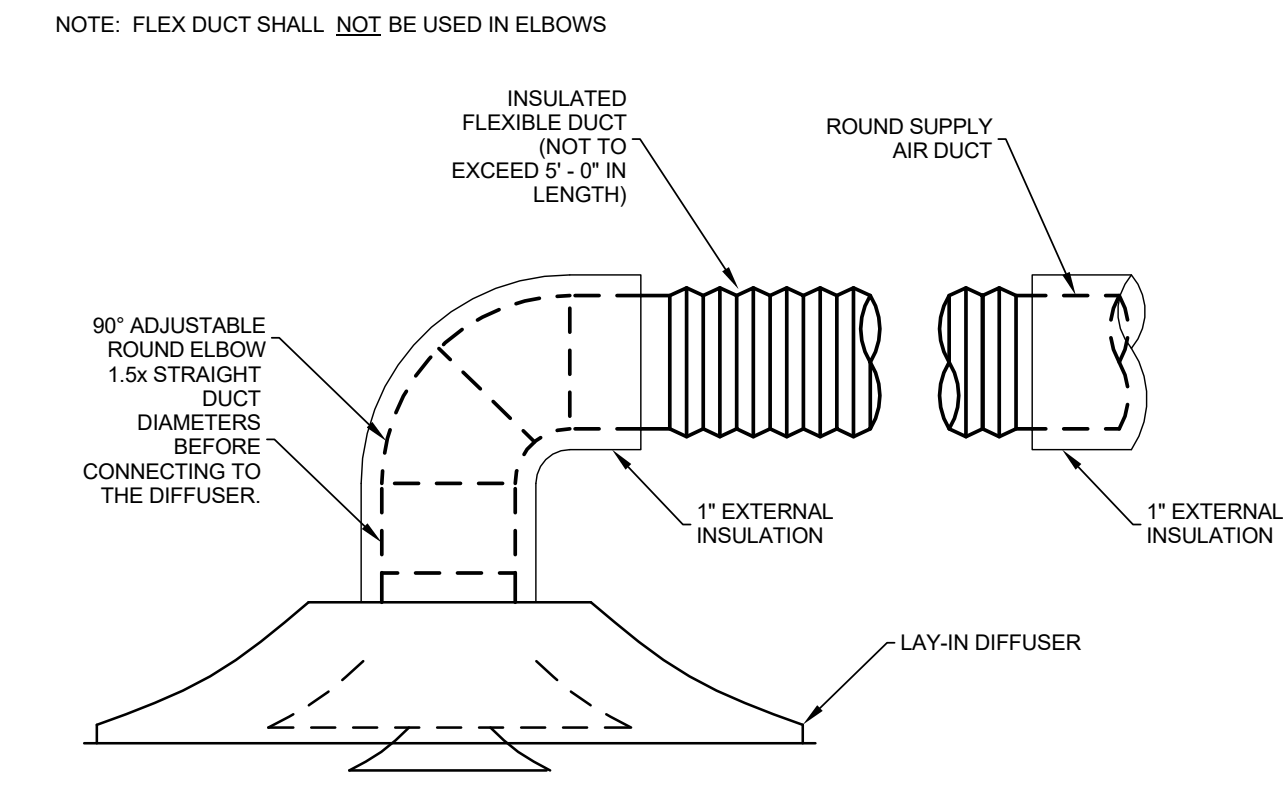
OFFSETS 2 AND 3 AND TRANSITIONS MAY HAVE EQUAL OR UNEQUAL INLET AND OUTLET AREAS. TRANSITIONS MAY CONVERT DUCT PROFILES TO ANY COMBINATION FOR RECTANGULAR, ROUND OR FLAT OVAL SHAPES.



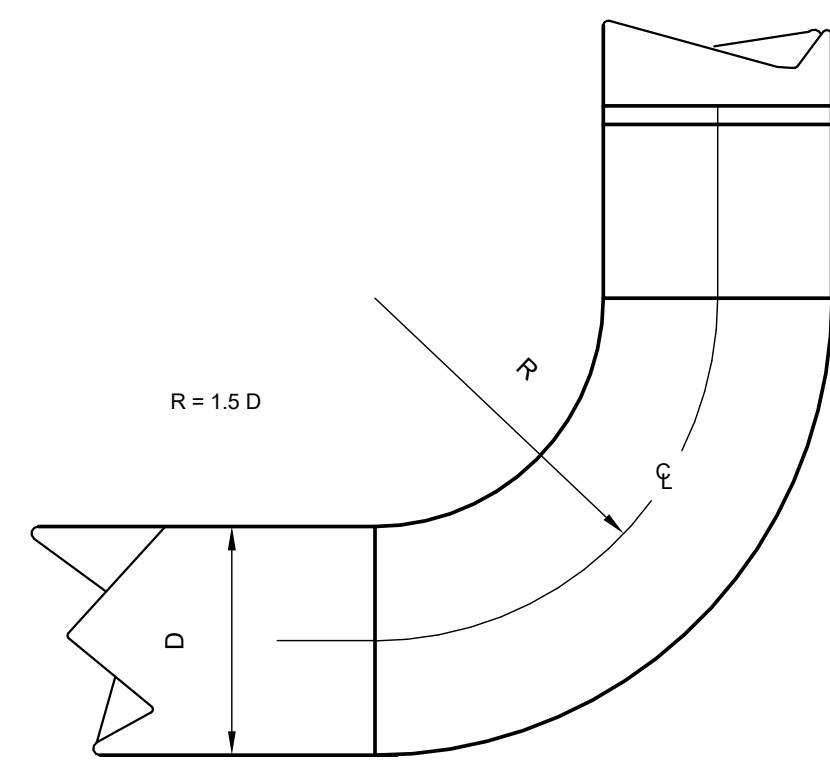
OFFSETS AND TRANSITIONS DETAIL
 SCALE: N.T.S.



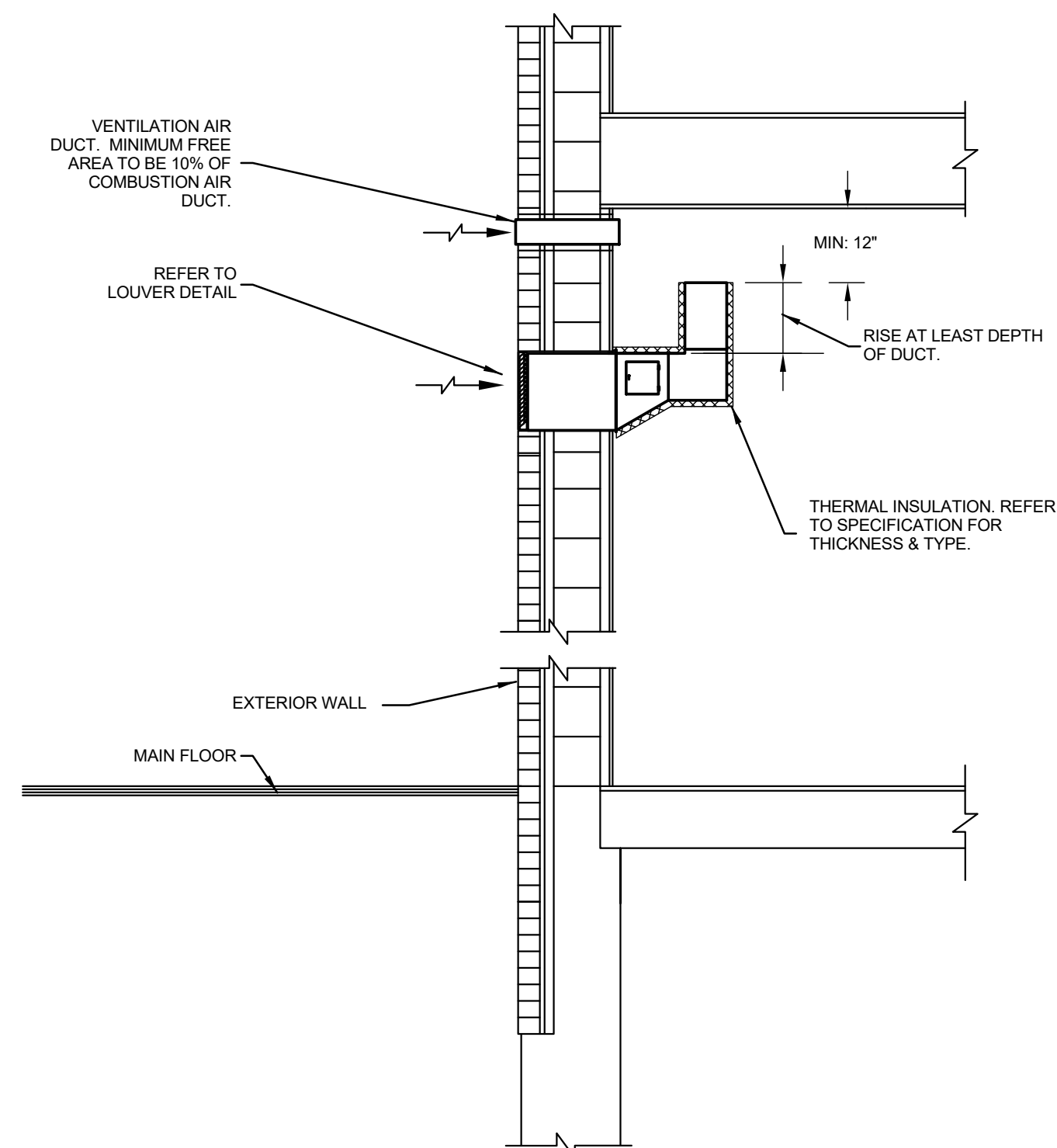
RECTANGULAR ELBOWS DETAIL
 SCALE: N.T.S.



SQUARE DIFFUSER INSTALLATION DETAIL
 SCALE: N.T.S.



TYPICAL ELBOW DETAIL
 SCALE: N.T.S.



COMBUSTION AIR INTAKE DETAIL
 SCALE: N.T.S.



This is a print of a document that has been electronically authenticated with technology authorized by the APEGM. The original is in electronic form.



This drawing must not be scaled. The contractors shall verify all dimensions and other data on site prior to commencement of work. Discrepancies, errors, and omissions are to be reported to Public City Architecture Inc. prior to proceeding with the Work.

Drawings and specifications as instruments of service are the property of Public City Architecture Inc. the copyright in the same being reserved.

No reproduction or revision to these drawings may be made without the permission of Public City Architecture Inc. and when made, must bear their name. All prints to be returned to Public City Architecture Inc. upon request.

Project
ST. JAMES CIVIC CENTRE

Drawing
DETAILS - HVAC

Drawn By: EB
 Review By: JS
 Scale: NTS
 Tender No: 1176-2019
 Date: 11/06/19
 Sheet: